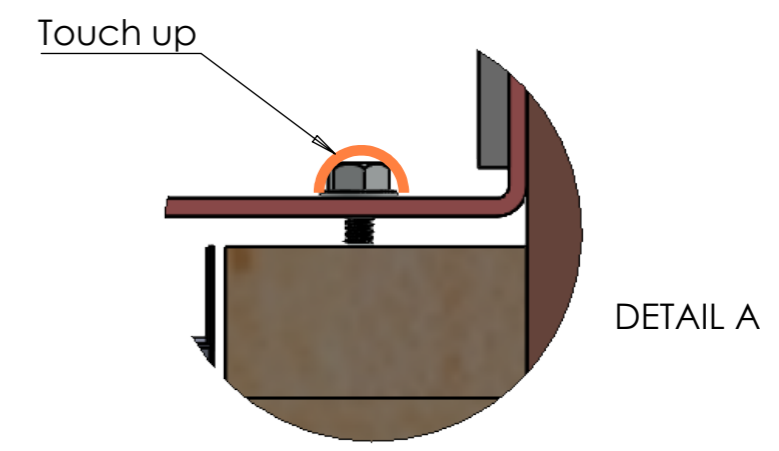
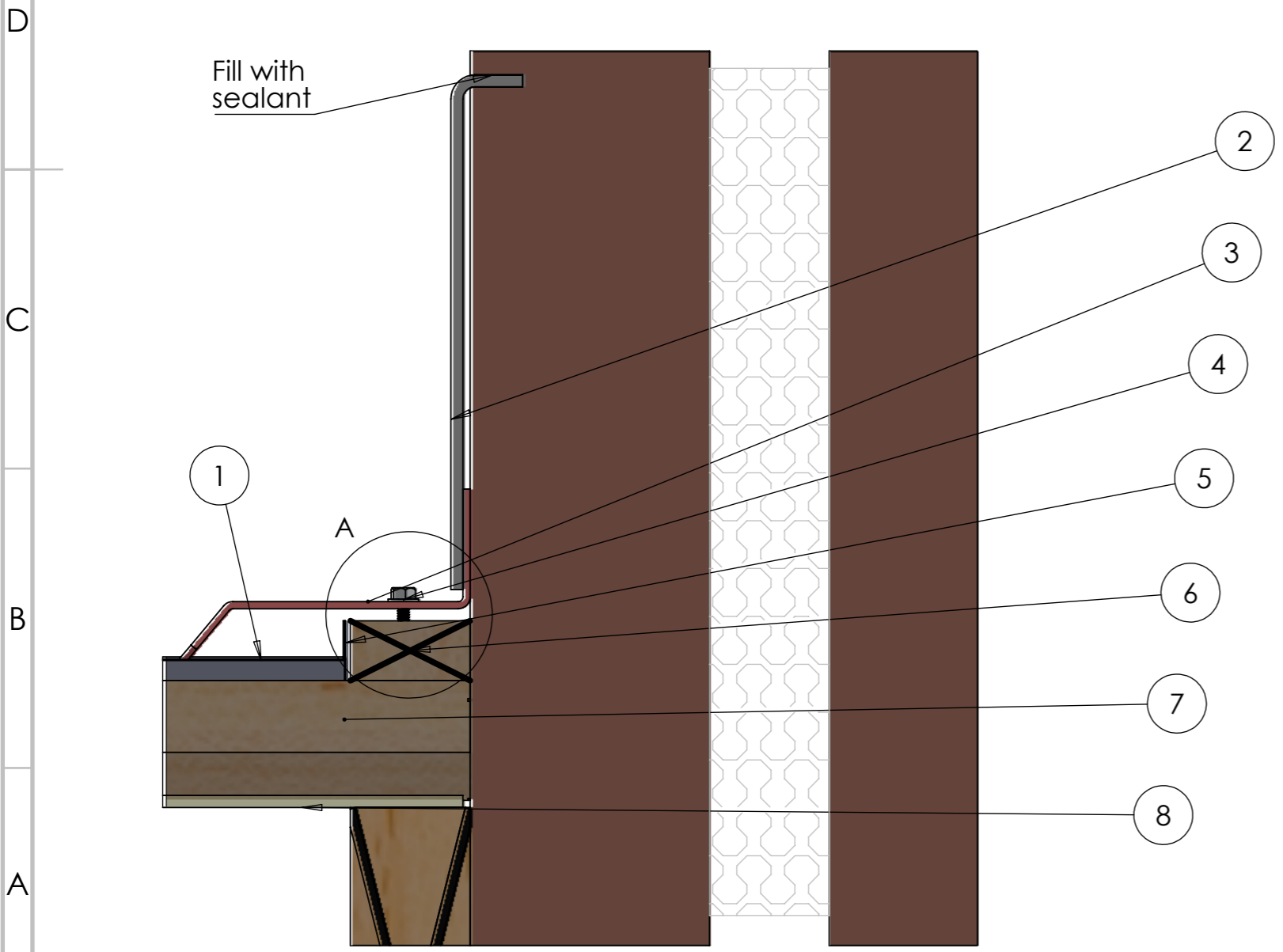
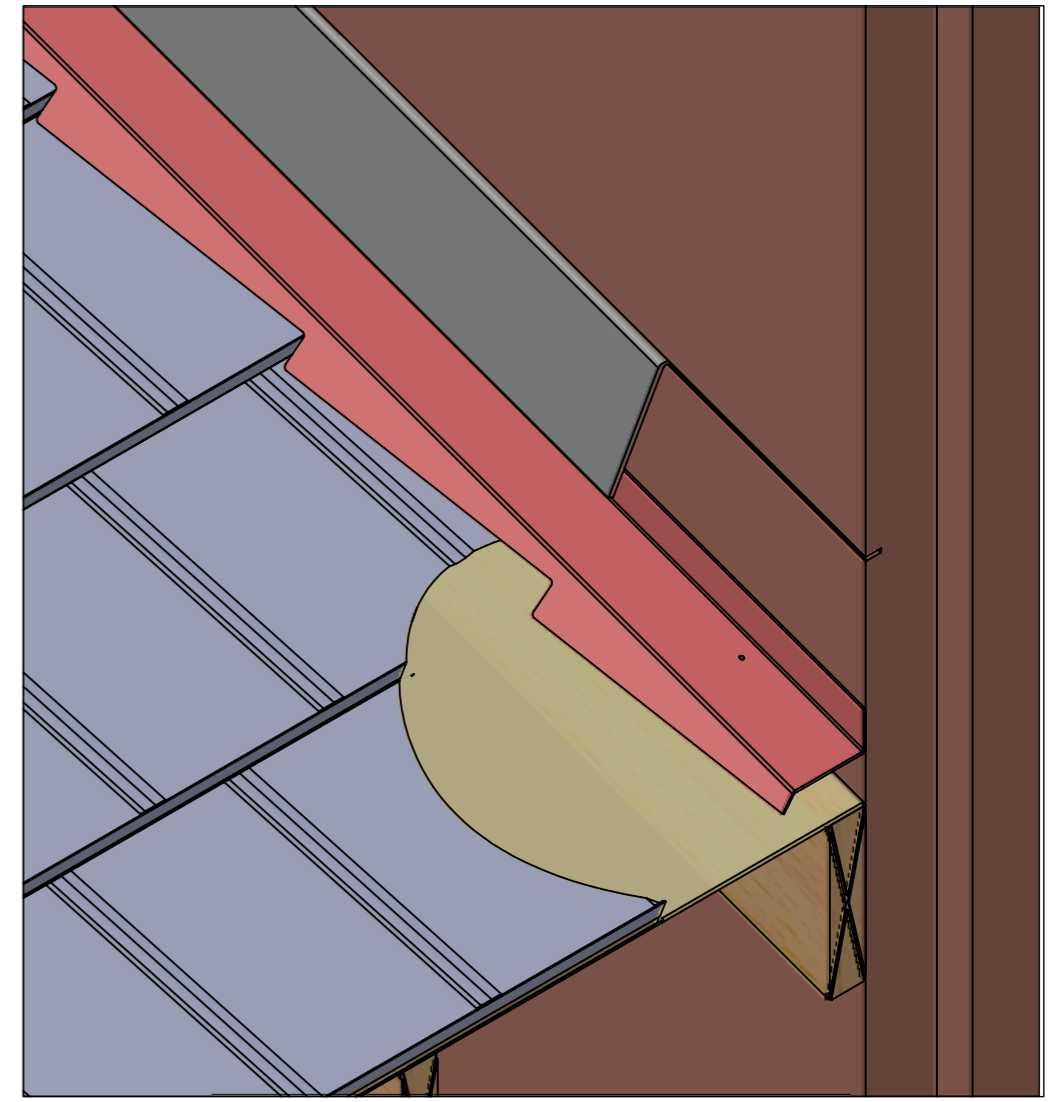


ITEM	DESCRIPTION	DETAIL
1	Tile panel	Slate 2000 shown
2	Leadax dressing	
3	RH Sidewall flashing	
4	Tek screw	40x8mm
5	Tile panel 25mm upstand	Fold on site
6	Sidewall batten	50x25mm
7	Tile batten	50x50mm
8	Membrane	



BRITMET
 LIGHTWEIGHT ROOFING
 Britmet Tileform Ltd
 Kingfisher House, Unit 17
 Overthorpe Road, Banbury, OX16 4SX

DO NOT SCALE DRAWING REVISION

TITLE: Tile panel 0.9 Typ
 sidewall details

DWG NO. P90-Swall-01-A

SCALE:DNS SHEET 1 OF 1

A3

NAME	DATE	MATERIAL:
DRAWN		
CHK'D		